

DSG-SoLID R&D Meeting Minutes

Date: April 8, 2021

Time: 11:00 – 12:00

Attendees: Mary Ann Antonioli, Aaron Brown, Peter Bonneau, Pablo Campero, Brian Eng, George Jacobs, Marc McMullen, Tyler Lemon, and Amrit Yegneswaran

1. Reviewed Hall A SoLID Magnet Control Systems meeting minutes from April 7, 2021

DSG

1. Discussed information needed to proceed with A00000-16-03-0350
2. Discussed options for cables for temperature sensors and voltage taps

2. Reviewed diagram in CLEO II Oxford Instruments manual of locations of voltage taps

DSG

1. Figure 7.2 of manual shows locations of seven voltage taps and flux loops that will be monitored

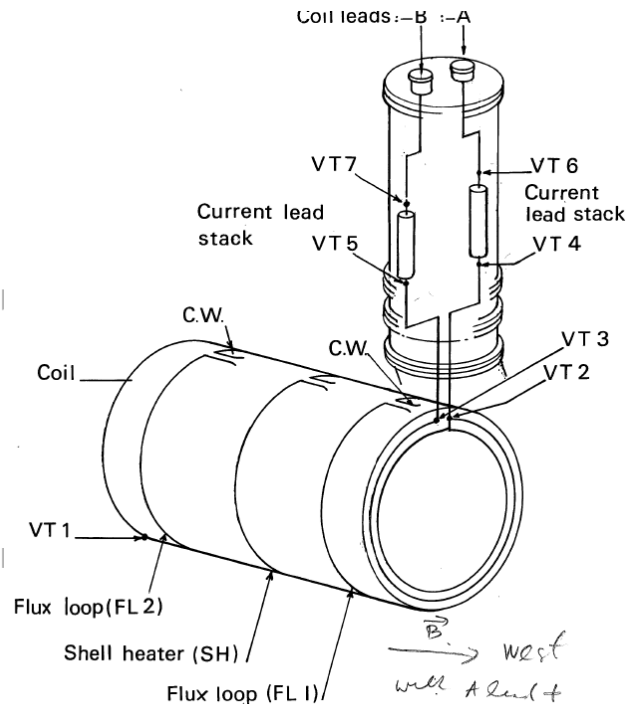


Figure 7.2 (from Oxford manual) Voltage Taps and Flux Loop location

3. Reviewed in-progress table of temperature sensor specifications

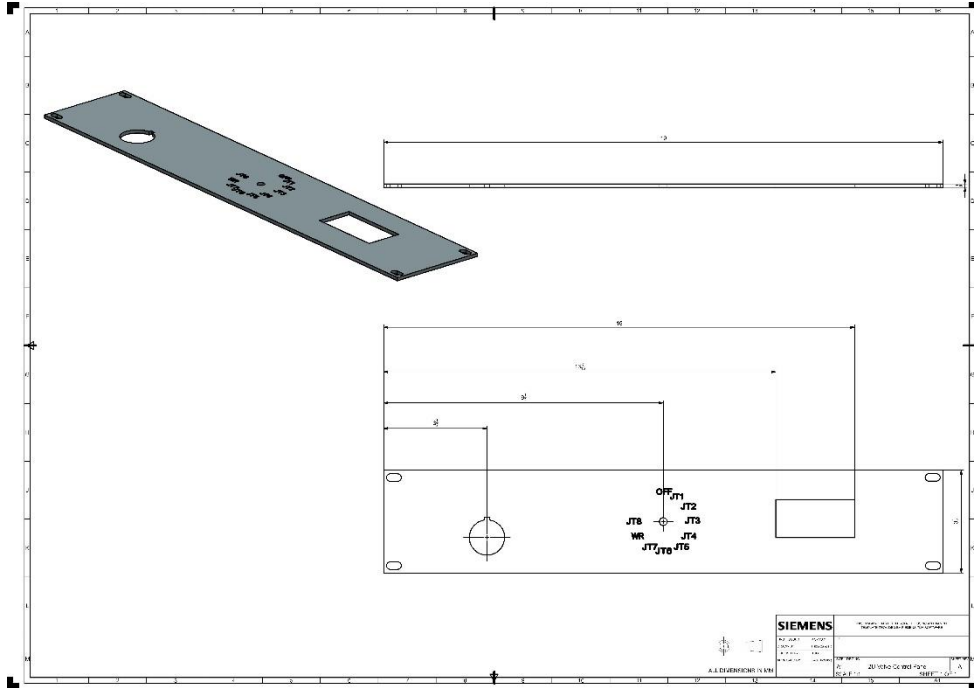
DSG

1. Shows specifications for each type of temperature sensor used in the magnet (radiation screens and coil shell), cryo control reservoir, turret, and current leads
2. Will add basic specifications for PT-102 and diode temperature sensors since actual vendors are unknown

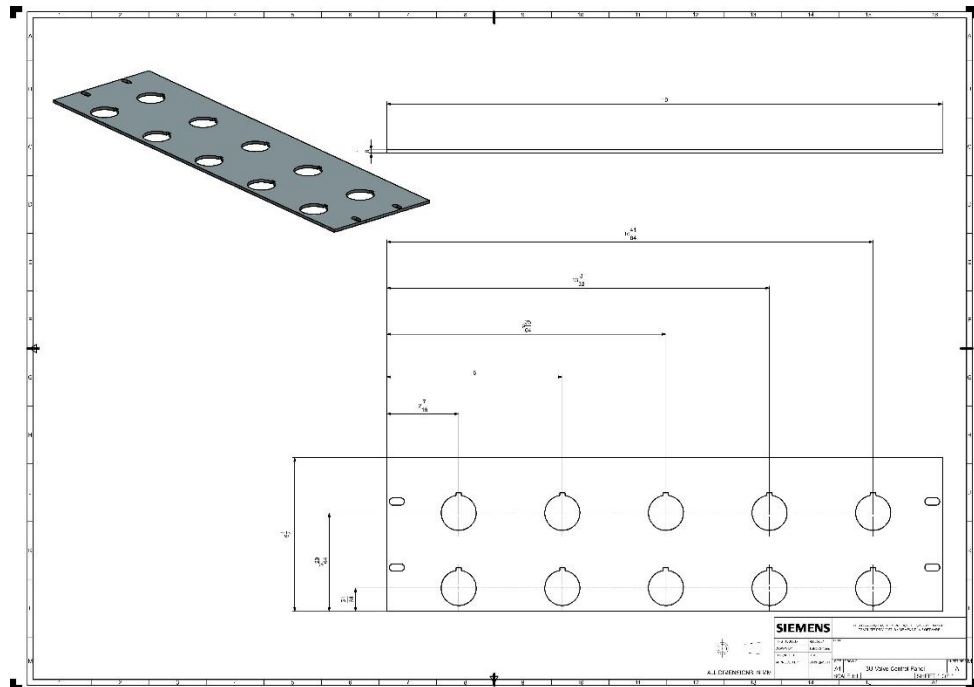
4. Completed NX-12 3D model for valve control panels

Pablo Campero

1. Presented 3D models of the 2U valve control panel and the 3U valve control panel
2. Showed drafting application available in NX-12 software used to created 2D drawings of 3D models



2U-Valve Control Panel NX12 model



3U-Valve Control Panel NX12 model